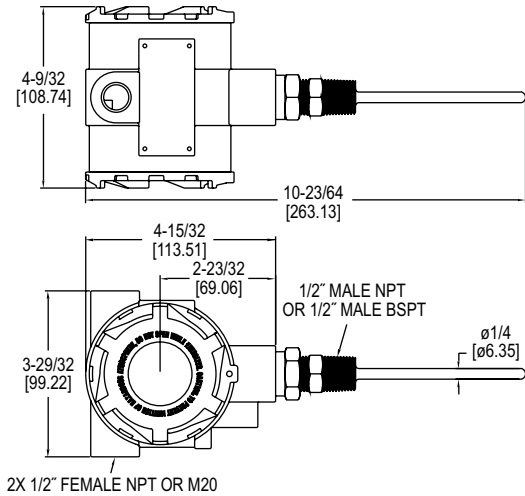


EXPLOSION-PROOF RTD TEMPERATURE TRANSMITTER

User Selectable Ranges, Optional LCD Display



Shown with optional LCD display



The **Series TTE Explosion-Proof RTD Temperature Transmitter** is the ideal product for hazardous temperature measurement applications. The TTE series has seven pre-programmed temperature ranges that are selectable via an internal dip switch. For those applications that need a custom range, the transmitter can be easily configured for any range between -30 to 250°F with a minimum span of 40°F. The span and zero can be quickly adjusted with a simple push button design. The compact housing allows for the transmitter to be mounted in virtually any application.

BENEFITS/FEATURES

- FM approved for Class I, Groups B, C, D; Class II, Groups E, F, G classified explosive environments
- Optional LCD
- Output span selected from seven common ranges or user determined

APPLICATIONS

- Explosive process environments
- Offshore HVAC monitoring

MODEL CHART						
Example	TTE	-1	04	-W	-LCD	TTE-104-W-LCD
Series	TTE					Explosion-proof RTD temperature transmitter
Compliance		1				FM* ATEX/IECEX/UKCA Ex flameproof
Probe Length			02 04 06 09 12 15 18			2" probe 4" probe 6" probe 9" probe 12" probe 15" probe 18" probe
Construction				W		Well probe
Options					Blank BSPT C5 LCD M20	No LCD display 1/2 male BSPT process connection C5-M housing paint specification LCD display Female M20 thread electrical connection

*Options that do not have ATEX, IECEX, UKCA Ex.

Attention: Units without the "2" suffix following "TTE" are not directive 2014/34/EU (ATEX) Compliant. These units are not intended for use in potentially hazardous atmospheres in the EU. These units may be CE marked for other directives of the EU.

ACCESSORIES

Model	Description
A-287	Mounting bracket for pipe or surface mounting (Includes bracket and two 2" U-bolts)

THERMOWELLS - MACHINED

Model	Material	Length	Connection (Internal/External) (NPT)
TE-TNS-N044N-12	304 SS	4"	1/2" / 3/4"
TE-TNS-N064N-12	304 SS	6"	1/2" / 3/4"
TE-TNS-N094N-12	304 SS	9"	1/2" / 3/4"
TE-TNS-N124N-12	304 SS	12"	1/2" / 3/4"



Machined thermowell

SPECIFICATIONS

Temperature Sensor: Pt1000, 0.00385 DIN.
Output Temperature Ranges: User selectable – any range between -30 to 250°F with a minimum span of 40°F.
Temperature Limits: Ambient: -4 to 158°F (-20 to 70°C); Process: -30 to 250°F (-34.4 to 120°C).
Accuracy: Transmitter ±0.1% FS; Probe ±0.3% FS.
Thermal Drift Effects: ±0.02%/°C max.
Response Time: 250 ms.
Wetted Materials: 316 SS.
Process Connection: 1/2" male NPT or 1/2" male BSPT.
Conduit Connection: 1/2" female NPT or M20.
Probe Length: 2" to 18" (depending on model).
Pressure Limits: 2000 psi (137.9 bar).
Power Requirements: 10-35 VDC.
Output Signal: 4-20 mA (2-wire loop powered).
Optional Display: 2 lines X 8 character LCD.
Enclosure Rating: Weatherproof NEMA 4X (IP66) and Explosion-proof. Listed with FM for Class I, Division 1, Groups B, C and D, and dust-ignitionproof for Class II, Division 1, Groups E, F and G and Class III atmospheres.
ATEX Certified: CE 2813 Ex II 2 G Ex db IIC T6...T4 Gb, CE 2813 II 1 D Ex ta IIC T111°C Da, T6 Process Temp ≤80°C, Temperature Class T5 Process Temp ≤95°C, Temperature Class T4 Process Temp ≤120°C as defined on nameplate. EU-type Certificate No.: EMT17ATEX0021 X.
ATEX Standards: EN IEC 60079-0, EN 60079-1, EN 60079-31.
IECEX Certified: For Ex db IIC T6...T4 Gb, Ex ta IIC T111°C Da, T6 Process Temp ≤80°C, Temperature Class T5 Process Temp ≤95°C, Temperature Class T4 Process Temp ≤120°C as defined on nameplate.
IECEX Certificate of Conformity: Element IECEX EMT 17.0007X; IECEX Standards: IEC 60079-0, IEC 60079-1, IEC 60079-31.
UKCA Ex Certified for: UKCA 0518 Ex II 2 G Ex db IIC T6...T4 Gb / II 1 D Ex ta IIC T111°C Da, T6 process temp ≤ 80°C, T5 process temp ≤ 95°C, T4 process temp ≤ 120°C. UKCA Ex Certificate of Conformity: EMA22UKEX0066X. UKCA Ex Standards: EN IEC 60079-0, EN 60079-1, EN 60079-31.
Weight: 2 lb 8 oz (1134 g).
Compliance: ATEX, CE, FM, IECEX, UKCA Ex.

Note: References to ATEX apply to UKCA Ex.

FIELD-SELECTABLE RANGES

- 40 to 90°F (4.4 to 32.2°C)
- 20 to 140°F (-28.9 to 60°C)
- 0 to 100°F (-17.8 to 37.8°C)
- 30 to 240°F (-1.1 to 115.6°C)
- 32 to 212°F (0 to 100°C)
- 32 to 122°F (0 to 50°C)
- 30 to 65°C (-1.1 to 18.3°C)
- Custom range between -30 to 250°F (-34.4 to 121.1°C)

Technical Specifications and Additional Thermowell Models: See page 136 (Series TE-TNS)